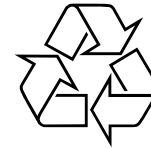


MP3-CD Soundmachine

AZ1302

Meet Philips at the Internet
<http://www.audio.philips.com>

User Manual
Manuel d'utilisation
Manual del usuario



AZ 1302

PHILIPS



Printed in China

AL-0504

Important notes for users in the U.K.

Mains plug

This apparatus is fitted with an approved 13 Amp plug. To change a fuse in this type of plug proceed as follows:

1. Remove fuse cover and fuse.
2. Fix new fuse which should be a BS1362 5 Amp, A.S.T.A. or BSI approved type.
3. Refit the fuse cover.

If the fitted plug is not suitable for your socket outlets, it should be cut off and an appropriate plug fitted in its place. If the mains plug contains a fuse, this should have a value of 5 Amp. If a plug without a fuse is used, the fuse at the distribution board should not be greater than 5 Amp.

Note: The severed plug must be disposed of to avoid a possible shock hazard should it be inserted into a 13 Amp socket elsewhere.

How to connect a plug

The wires in the mains lead are coloured with the following code: blue = neutral (N), brown = live (L). As these colours may not correspond with the colour markings identifying the terminals in your plug, proceed as follows:

- Connect the blue wire to the terminal marked N or coloured black.
- Connect the brown wire to the terminal marked L or coloured red.
- Do not connect either wire to the earth terminal in the plug, marked E (or e) or coloured green (or green and yellow).

Before replacing the plug cover, make certain that the cord grip is clamped over the sheath of the lead - not simply over the two wires.

Copyright in the U.K.

Recording and playback of material may require consent. See Copyright Act 1956 and The Performer's Protection Acts 1958 to 1972.

CAUTION

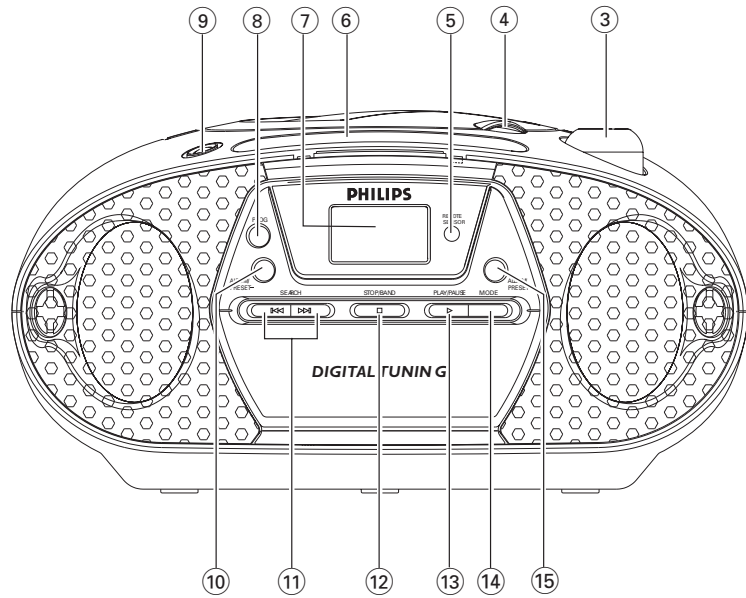
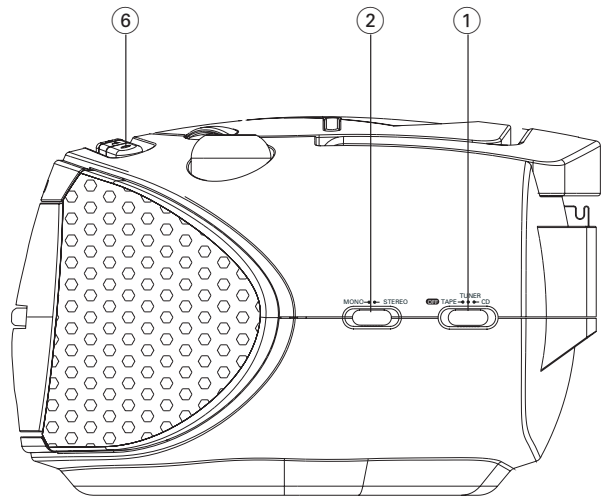
Use of controls or adjustments or performance of procedures other than herein may result in hazardous radiation exposure or other unsafe operation.

Environmental information

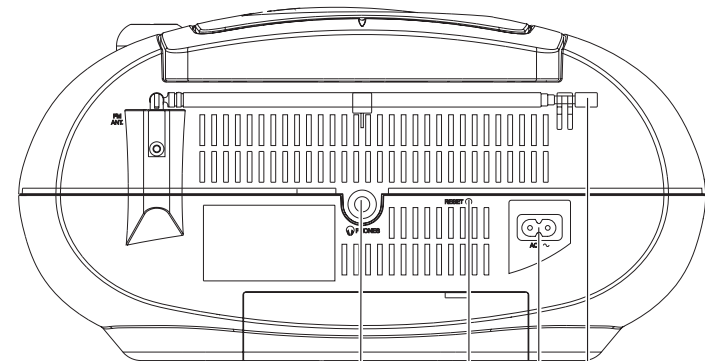
All unnecessary packaging material has been omitted. The packaging can be easily separated into three materials: cardboard, polystyrene and plastic.

Your set consists of materials which can be recycled if disassembled by a specialized company. Please observe the local regulations regarding the disposal of packaging, dead batteries and old equipment.

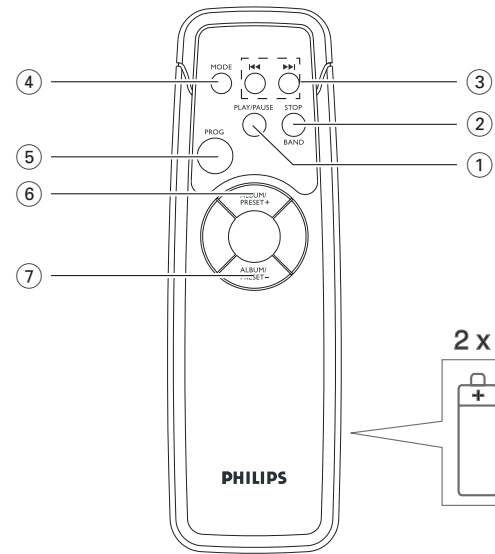
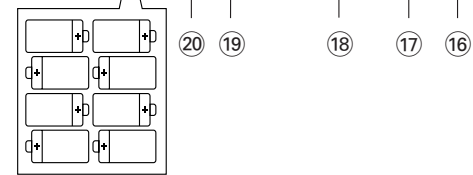
1



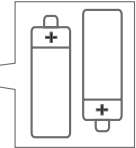
2



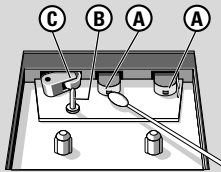
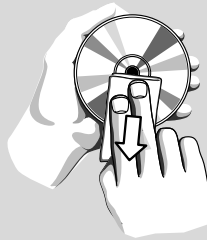
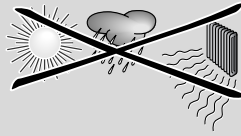
8 x R14•UM-2



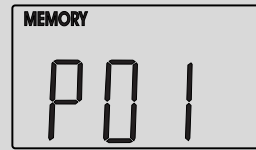
2 x R06



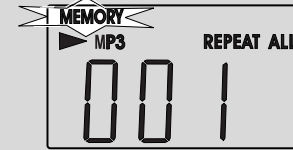
13



3



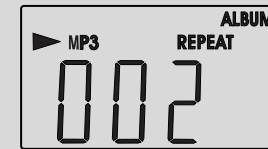
8



4



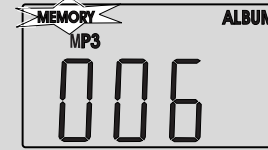
9



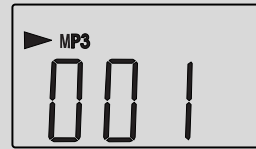
5



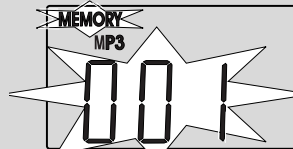
10



6



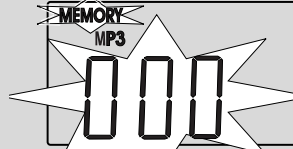
11



7



12



English

Supplied accessories

- AC mains lead
- remote control

Right panel (See [1])

- 1 **Source selector CD, TUNER, TAPE/OFF**
 - selects CD/MP3-CD, radio or tape source of sound
 - switches off the set
- 2 **MONO•STEREO**
 - selects mono or stereo FM reception

Top and front panels(See [1])

- 3 **VOLUME** – adjusts volume level
- 4 **LIFT TO OPEN** – lift here to open the disc door
- 5 **REMOTE SENSOR** – infrared sensor for remote control
- 6 **Cassette recorder keys:**
 - PAUSE II** – pauses playback or recording
 - STOP•EJECT ■▲**
 - stops playback or recording.
 - opens the cassette holder.
 - F.FWD/REW ◀◀ or ▶▶** – fast winds/rewinds the tape
 - PLAY ◀** – starts playback
 - REC ●** – starts recording
- 7 **Display** – shows the status of the set
- 8 **PROG**
 - CD/MP3:** programmes tracks and reviews the programme;
 - TUNER:** programmes preset radio stations
- 9 **DBB** – switches the bass enhancement on / off
- 10 **ALBUM/PRESET -**
 - MP3 only:** selects albums (down);
 - RADIO:** selects preset stations (down)
- 11 **SEARCH ◀◀ , ▶▶**
 - CD/MP3:** – searches back and forward within a track;
 - skips to the beginning of a current track/ previous/ later track
 - TUNER:** tunes to radio stations.
- 12 **STOP/BAND ■**
 - CD/MP3:** – stops playback;
 - erases a programme.
 - TUNER:** selects wavebands

Controls

- 13 **PLAY/PAUSE ►/II** – starts/ pauses CD playback
- 14 **MODE**
 - selects different play modes: e.g. **REPEAT** or **RANDOM** (random order)
- 15 **ALBUM/PRESET +**
 - MP3 only:** selects albums (up);
 - TUNER:** selects preset stations (up)

Back panel (See [2])

- 16 **Telescopic antenna** - improves FM reception.
- 17 **AC ~** - inlet for mains lead
- 18 **RESET** – use ball-point pen to press the hole if the set or display does not react to any of the controls
- 19 **PHONES** - 3.5mm stereo headphone jack
- 20 **Battery door** - open to insert 8 x 1.5V **R-14/ UM2/ C-cells.**

Remote control

- 1 **PLAY/PAUSE** – starts / pauses CD playback
- 2 **STOP/BAND CD/MP3:** – stops playback;
 - erases a programme.**TUNER:** selects wavebands
- 3 **◀◀ ▶▶ CD/MP3:** – searches back and forward within a track;
 - skips to the beginning of a current track/ previous/ later track**TUNER:** tunes to radio stations.
- 4 **MODE**– selects different play modes: e.g. **REPEAT** or **RANDOM** (random order)
- 5 **PROG CD/MP3:** programmes tracks and reviews the programme;
 - TUNER:** programmes preset radio stations
- 6 **ALBUM/PRESET +**
 - MP3 only:** selects albums (up);
 - TUNER:** selects preset stations (up)
- 7 **ALBUM/PRESET -**
 - MP3 only:** selects albums (down);
 - TUNER:** selects preset stations (down)

Power Supply

Power supply

Whenever convenient, use the mains lead if you want to conserve battery life. Make sure you remove the plug from the set and wall outlet before inserting batteries.

Batteries (not included)

Main set (See [2])

- Insert 8 batteries, type **R-14, UM2** or **C-cells** (preferably alkaline) with the correct polarity.

Remote control (See [2])

- Insert 2 batteries, type **AA, R06** or **UM3** (preferably alkaline).

Batteries contain chemical substances, so they should be disposed of properly.

- Incorrect use of batteries can cause electrolyte leakage and will corrode the compartment or cause the batteries to burst:
- Do not mix battery types: e.g. alkaline with carbon zinc. Only use batteries of the same type for the set.
- When inserting new batteries, do not try to mix old batteries with the new ones.
- Remove the batteries if the set is not to be used for a long time.

Using AC Mains

- 1 Check if the mains voltage, as shown on the **type plate located on the back of the set**, corresponds to your local mains supply. If it does not, consult your dealer or service center.
 - 2 Connect the mains lead to the **AC ~** inlet and the wall socket. The mains lead is now connected and ready for use.
 - 3 To switch the set off completely, withdraw the mains lead from the wall socket.
- Disconnect the mains lead from the wall socket to protect your set during heavy thunderstorms.

General Operation

Helpful hints : To avoid unnecessary energy consumption, always adjust the **Source selector** to **TAPE/OFF** after using the set. Also check that the tape deck keys are released

The type plate is located on the back of the set.

General operation

Switching on and off and selecting functions

- 1 To switch on, push the **Source selector** slider to **CD, TUNER, or TAPE/OFF** as desired.
 - In **CD** or **TUNER**, the display lights up blue.
 - In **TAPE**, the display lights up during tape operation
- 2 To switch off, push the **Source selector** slider to **TAPE/OFF** and check the cassette keys are released.

Helpful hints:

- To change from **TAPE** to **TUNER** or **CD** function, or when you are switching off the set: first, make sure you press the **STOP•EJECT ■▲** key to end playback and all the cassette keys are released.
- The radio presets will be retained in the set's memory.

Adjusting volume and sound

- 1 Adjust the volume with the **VOLUME** control.
- 2 Press **DBB** once or more to select dynamic bass boost on or off.

This set complies with the radio interference requirements of the European Community.

Digital Tuner

Digital tuner

Tuning to radio stations

- 1 Push the **Source selector** slider to **TUNER**.
→ The display lights up blue and if programmed, a preset number appears (see [3]).
→ Then, the display shows radio station frequency and waveband. If programmed, **MEMORY** appears. (see [4])
 - 2 Press **STOP/BAND ■** to select your desired waveband, FM or MW.
 - For FM, adjust **MONO•STEREO** to **STEREO**.
 - 3 Press and hold **◀◀** or **▶▶** until the frequency in the display starts running.
→ The radio automatically tunes to a station of sufficient reception. The frequency keeps running during automatic tuning.
 - **STEREO** lights up for stereo FM reception.
 - 4 Repeat step 3 if necessary until you find the desired station.
 - To tune to a weak station, press **◀◀** or **▶▶** briefly and repeatedly until you have found optimal reception.
- To improve radio reception:**
- For **FM**, extend, incline and turn the telescopic aerial. Reduce its length if the signal is too strong.
 - To tune to a weak FM station, adjust **MONO•STEREO** to **MONO**.
 - For **MW**, the set uses a built-in aerial. Direct this aerial by turning the whole set.

Programming radio stations

You can store up to a total of 20 radio stations in the memory (10 FM and 10 MW), manually or automatically (Autostore).

Manual programming

- 1 Tune to your desired station (see **Tuning to radio stations**).
- 2 Press **PROG** to activate programming.
→ Display: **P01. MEMORY** flash.
- 3 Press **ALBUM/PRESET -/+** once or more to allocate a number from 1 to 10.
- 4 Press **PROG** to confirm.
- 5 Repeat steps 1-4 to store other stations.

Helpful hints: You can erase a preset station by storing another frequency in its place.

Autostore

Autostore automatically starts programming radio stations from preset 1. Any previous presets e.g. manually programmed will be erased.

- 1 In **TUNER** mode, press **STOP/BAND ■** to select FM or MW.
- 2 Press and hold **PROG** until the frequency and **MEMORY** flash.
→ Available stations are programmed (FM or MW. **P** and a preset number (1 - 10) appears when a station is stored.
→ After all stations are stored, the first autostore preset station automatically plays.

To listen to a preset station

Press the **ALBUM/PRESET -/+** button once or more until the desired preset station is displayed.

CD/MP3 Player

CD/MP3 player

About MP3

The music compression technology MP3 (MPEG1 Audio Layer 3) significantly reduce the digital data of an audio CD while maintaining CD quality sound.

- **Getting MP3 files:** you can either download legal music files from the internet to your computer hard disc, or create such files by converting audio CD files in your computer through appropriate encoder software. (128kbps bit rate or higher is recommended for MP3 files.)
- **Creating a MP3 CD:** burn the music files from your computer hard disc on a CDR or CDRW using your CD burner.

✓ Helpful hints:

- Make sure that the file names of the MP3 files end with **.mp3**.
- Total number of music files and albums: around 350 (with a typical file name length of 20 characters)
- The length of file names affects the number of tracks for playback. With shorter file names, more files can be burned on a disc.

Playing a disc

This player plays Audio Discs including CD-R/ CD-RW, and MP3 CD. Do not try to play a CD-ROM, CD-I, CDV, VCD, DVD or computer CD.

IMPORTANT!

- CDs encoded with **copyright protection technologies** by some record companies may be unplayable by this product.
- **For a disc with CD Audio tracks and MP3 files, only the CD Audio tracks will be played.**

- 1 Push the **Source selector** slider to **CD**.
→ The display lights up blue, and **---** is displayed as the player scans the contents of a disc. Then,
Audio CD: total number of tracks appears
MP3: total number of file folders appears. (**Note:** only MP3 files can be played)
- 2 Press **▶/II** to start playback.
→ **Audio CD:** current track number appears
MP3: The display shows current album number briefly, then a track number in the album (see [5], [6])
- 3 To pause playback, press **PLAY/PAUSE ▶/II**. Press **PLAY/PAUSE ▶/II** again to resume play.
- 4 To stop playback, press **STOP/BAND ■**.

Helpful hints: CD play will also stop when:

- the CD door is opened
- the CD has reached the end
- you select tuner or tape source.

Selecting a different track

- Press **SEARCH ◀◀** or **▶▶** once or repeatedly until the desired track number appears in the display.
For MP3: first press **ALBUM/PRESET -/+** to find your album.
- In the pause/stop position, press **▶/II** to start playback.


Finding a passage within a track

- 1 During playback, press and hold **◀◀** or **▶▶**.
→ The CD is played at high speed and low volume.
- 2 When you recognize the passage you want, release **◀◀** or **▶▶** to resume normal playback.

CD/MP3 Player

Different play modes: RANDOM and REPEAT (see [7] – [9])

RANDOM – tracks of the entire disc are played in random order

 **REPEAT** – plays the current track continuously

REPEAT ALL – repeats the entire disc/programme

For MP3 only:

REPEAT ALBUM – all tracks of current album play repeatedly.

- 1 To select play mode, press **MODE** once or more.

For RANDOM: select the mode before playback

- 2 Press **PLAY/PAUSE** ►/II to start playback if in the stop position.
- 3 To select normal playback, press **MODE** repeatedly until the various modes are no longer displayed.

Helpful hints: In shuffle mode, press ◀◀ to go to the beginning of current track.

Programming track numbers

You may store up to 20 tracks in the desired sequence. If you like, store any track more than once.

For Audio CD:

- 1 In the stop position, press **PROG** to activate programming.
→ Display: **MEMORY** and 00 flash.
- 2 Press ◀◀ or ▶▶ to select your desired track number.
→ Display: **MEMORY** and your desired track number flash.
- 3 Press **PROG** to store the desired track number.
→ Display: **MEMORY** and 00 flash for you to programme the next track.
- 4 Repeat steps 2 to 3 to select and store all desired tracks in this way.
→ Display shows - - after 20 tracks are stored

For MP3:

- 1 In the stop position, press **PROG** to activate programming.
→ Display: **ALBUM** and current album number
→ Then, **MEMORY** and 000 flash.
- 2 If necessary, press **ALBUM/PRESET -/+** to select another album
→ Display: **ALBUM** and selected album number (see [10])
→ Then, **MEMORY** and 00 1 flash (see [11])
- 3 Press ◀◀ or ▶▶ to select your desired track number.
→ Display: **MEMORY** and the selected track number in current album
- 4 Press **PROG** to store the desired track number.
→ Display: **MEMORY** and 0000 flash for you to programme the next track (see [12])
- 5 Repeat steps 2 to 4 to select and store all desired tracks in this way.
→ Display shows - - after 20 tracks are stored.
- 6 To play your programme, press ►/II.

Helpful hints:

– **When playback of your programme comes to the stop position, your set will return to normal playback. To re-enter program mode, press PROG/MEMORY in the stop position.**

– *When the programme or RANDOM mode is active, use of the ALBUM/PRESET -/+ keys are void.*

CD/MP3 Player

Reviewing the programme

In the stop position, press **PROG** repeatedly to see your stored track numbers.

→ **Audio CD:** a stored track number appears

MP3: ALBUM and an album number appear; then a stored track number in the album is displayed
– only track number appears if in the same album

Erasing the programme

You can erase the contents of the memory by:

- selecting **TUNER** or **TAPE** sound source;
- opening the disc door;
- in the stop position, press **PROG** to enter program mode and then, press ■.

Cassette playback

- 1 Push the **Source selector** slider to **TAPE**
- 2 Press **STOP•EJECT** ■▲ to open the cassette holder and insert a cassette and close the deck.
- 3 Press **PLAY** ◀ to start playback.
→ Display lights up blue and shows **TAPE** throughout tape operation.
- 4 To pause playback press **PAUSE II**. To resume, press the key again.
- 5 By pressing **F.FWD/REW** ◀◀ or ▶▶, fast forwarding/rewinding of the tape is possible in both directions. To stop fast winding, press ■/▲.
- 6 To stop the tape, press ■/▲.

Helpful hints:

– *During playback, the keys are automatically released at the end of a tape and the set is switched off (unless PAUSE II mode has been activated.)*

Cassette Recorder

– *During fast forwarding/rewinding, the keys will not be released at the end of a tape. To switch off the set, make sure the cassette keys are also released.*

General information on recording

- Recording is permissible insofar as copyright or other rights of third parties are not infringed.
- For recording, use only NORMAL type cassettes (IEC type I) on which the tabs have not yet been broken. This deck is not suited for recording on CHROME (IEC II) or METAL (IEC IV) type cassettes.
- The best recording level is set automatically. Altering the **VOLUME** or **DBB** will not affect the recording.
- To protect a tape from accidental erasure, break out the tabs. If you wish to record again, cover the tabs with a piece of adhesive tape.

Recording from the CD Player

- 1 Select **CD** source.
- 2 Insert a CD and if desired, program track numbers.
- 3 Press ■/▲ to open the cassette holder. Insert a blank tape and close the deck.
- 4 Press **REC** ● to start recording.
- 5 Press **PLAY/PAUSE** ►/II on the set to start CD playback.
- 6 For brief interruptions press II. To resume recording, press II again.
- 7 To stop recording, press ■/▲.

Recording from the Radio

- 1 Select **TUNER** source.
- 2 Tune to the desired radio station (see **Tuning to radio stations**).
- 3 Follows steps 3, 4, 6, 7 under **Recording from the CD Player**.

Maintenance & safety (see 13)

CD player and CD handling

- If the CD player cannot read CDs correctly, use a cleaning CD to clean the lens before taking the set to repair.
- The lens of the CD player should never be touched!
- Sudden changes in the surrounding temperature can cause condensation on the lens of your CD player. Playing a CD is then not possible. Do not attempt to clean the lens but leave the set in a warm environment until the moisture evaporates.
- Always close the CD-tape door to avoid dust on the lens.
- To clean the CD, wipe in a straight line from the center towards the edge using a soft, lint-free cloth. Do not use cleaning agents as they may damage the disc.
- Never write on a CD or attach any stickers to it.

Tape deck maintenance

To ensure quality recording and playback of the tape deck, clean parts (A), (B) and (C) as shown, once a month. Use a cotton bud slightly moistened with alcohol or a special head cleaning fluid to clean the deck.

- 1 Open the cassette holder by pressing ■▲.
- 2 Press ◀ and clean the roller (C).
- 3 Press || and clean the heads (A), and the capstan (B).
- 4 After cleaning, press ■▲.
→ Cleaning of the heads can also be done by playing a cleaning cassette through once.

Safety information

- Place the set on a flat, hard and stable surface so that the system does not tilt.
- Do not expose the set, batteries, CDs to humidity, rain, sand or excessive heat caused by heating equipment or direct sunlight.
- The apparatus shall not be exposed to dripping or splashing.
- Adequate ventilation with a minimum gap of 15cm (6 inches) between the ventilation holes and surrounding surfaces is necessary to prevent heat build-up.
- Do not cover the ventilation openings with items such as newspapers, table-cloths, curtains, etc.
- No objects filled with liquids, such as vases, shall be placed on the apparatus.
- No naked flame sources, such as lighted candles, should be placed on the apparatus.
- The mechanical parts of the set contain self-lubricating bearings and must not be oiled or lubricated.
- To clean the set, use a dry cloth. Do not use any cleaning agents containing alcohol, ammonia, benzene or abrasives as these may harm the housing.

Troubleshooting

If a fault occurs, first check the points listed below before taking the set for repair. If you are unable to remedy a problem by following these hints, consult your dealer or service centre.

WARNING: Do not open the set as there is a risk of electric shock. Under no circumstances should you try to repair the set yourself, as this will invalidate the guarantee.

Problem

- Possible cause
- Remedy

No sound /power

- Volume not adjusted
- Adjust the VOLUME
- Power cord not securely connected
- Connect the AC power cord properly
- Batteries dead/ incorrectly inserted
- Insert (fresh) batteries correctly
- Headphones connected to the set
- Disconnect headphones..

Display does not function properly/ No reaction to operation of any of the controls

- Electrostatic discharge
- Switch off and unplug the set. Reconnect after a few seconds

Remote control does not function properly

- Batteries exhausted/ incorrectly inserted
- Insert (fresh) batteries correctly
- Distance/ angle between the set too large
- Reduce the distance/ angle

Severe radio hum or noise

- Electrical interference: set too close to TV, VCR or computer
- Increase the distance

Poor radio reception

- Weak radio signal
- FM: Adjust the FM telescopic aerial

- - - indication

- No disc inserted
- Insert suitable disc

- CD badly scratched or dirty
- Replace/ clean CD, see Maintenance & Safety
- Laser lens steamed up
- Wait until lens has cleared
- CD-R/CD-RW is blank or not finalized
- Use a finalized CD-R or CD-RW only

Note:

Make sure the CD is not encoded with Copyright protection technologies, as some do not conform to the Compact Disc standard.

The CD skips tracks

- CD damaged or dirty
- Replace or clean CD
- Programme/RANDOM is active
- Quit programme/RANDOM mode

Note:

For a disc with CD Audio tracks and MP3 files, only the CD Audio tracks will be played.

The MP3-CD skips albums

- CD contains non-MP3 file folders
- Check your disc contains suitable file folders.

Poor cassette sound quality

- Dust and dirt on the heads, etc.
- Clean deck parts, see Maintenance
- Use of incompatible cassette types (METAL or CHROME)
- Only use NORMAL (IEC I) for recording

Recording does not work

- Cassette tab(s) may be broken
- Apply adhesive tape over the missing tab space